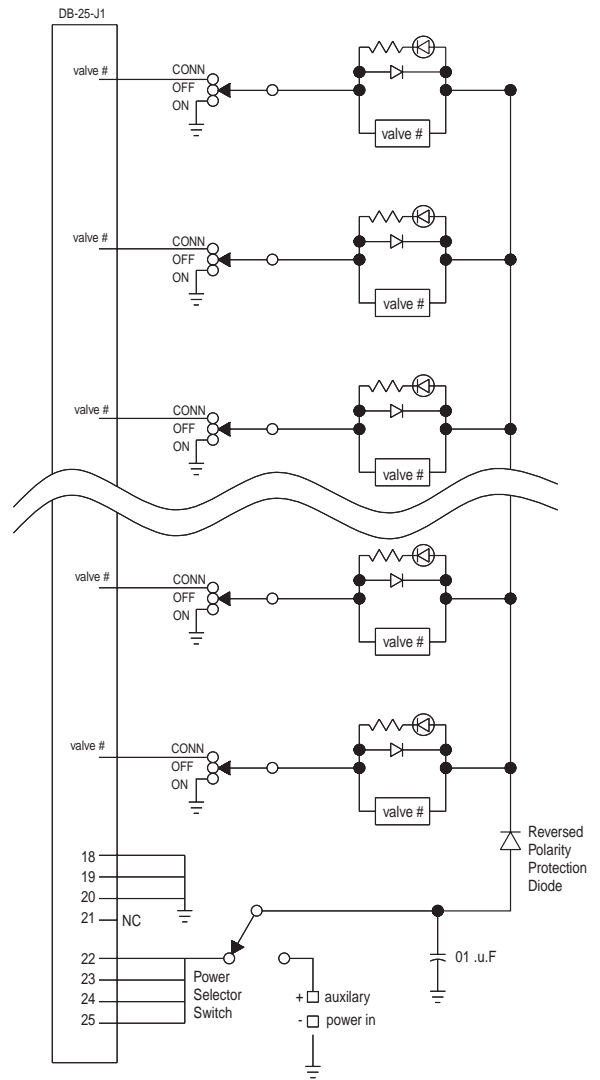
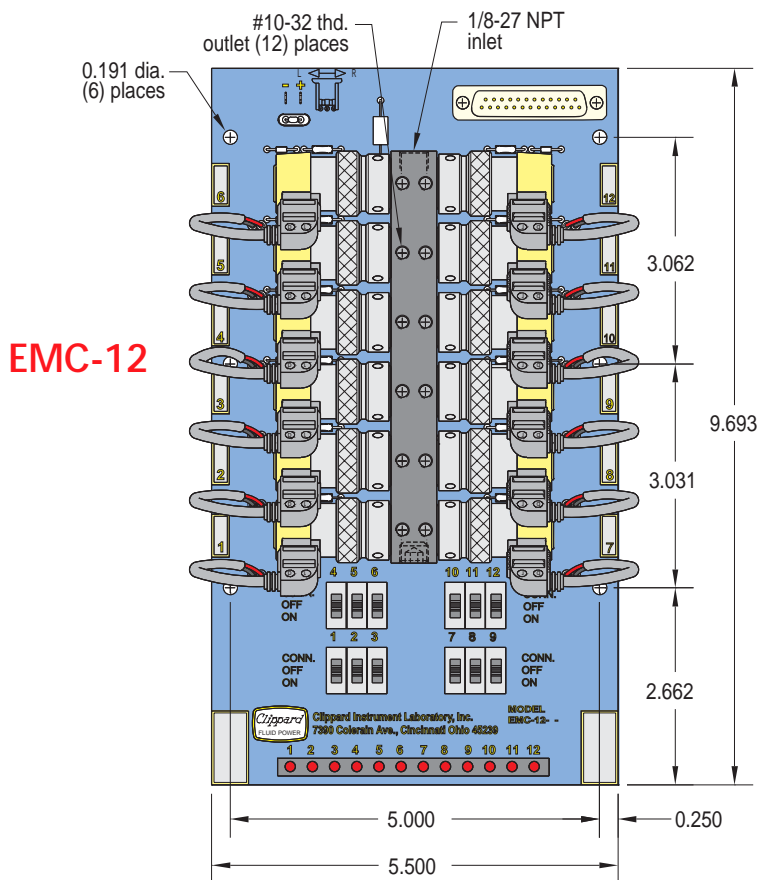
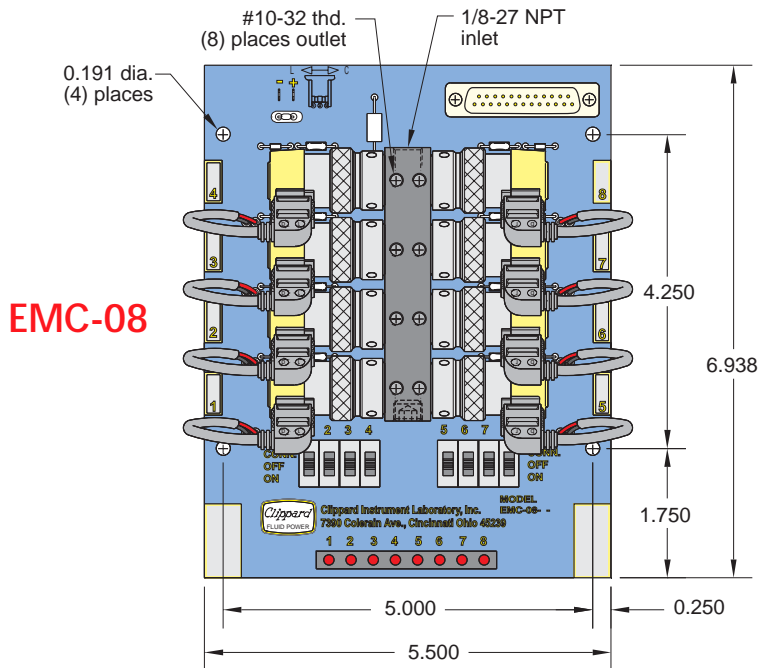


ET VALVES & ELECTRONIC MANIFOLD CARDS



Wiring Diagram

Note: Manifold mounted valves are normally closed. Use ETO models if exhaust must be ported. ETO models cannot be used "Normally Open" without special piping.